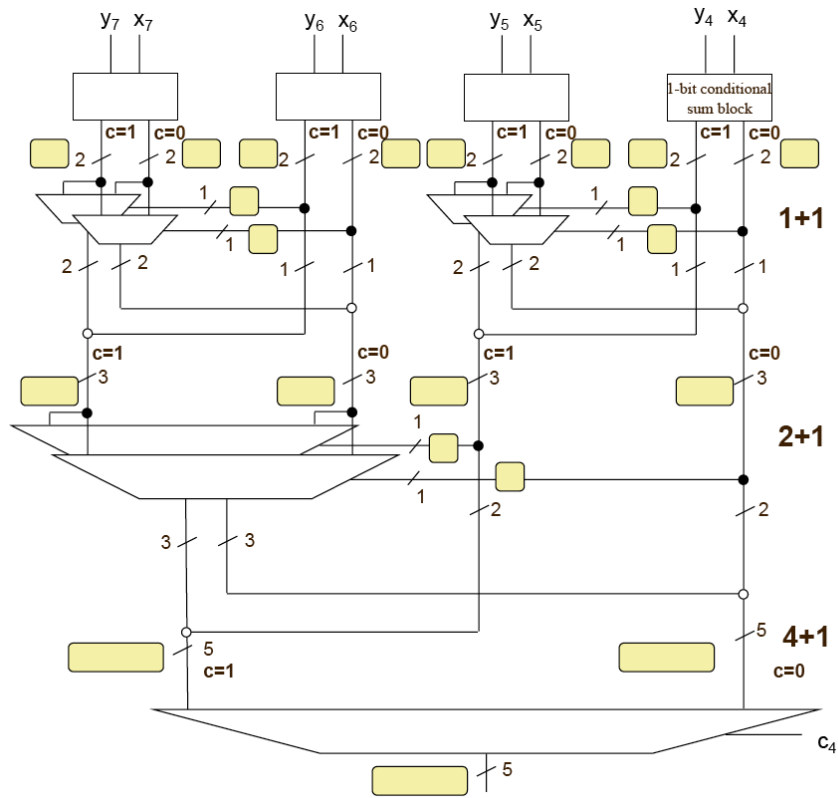
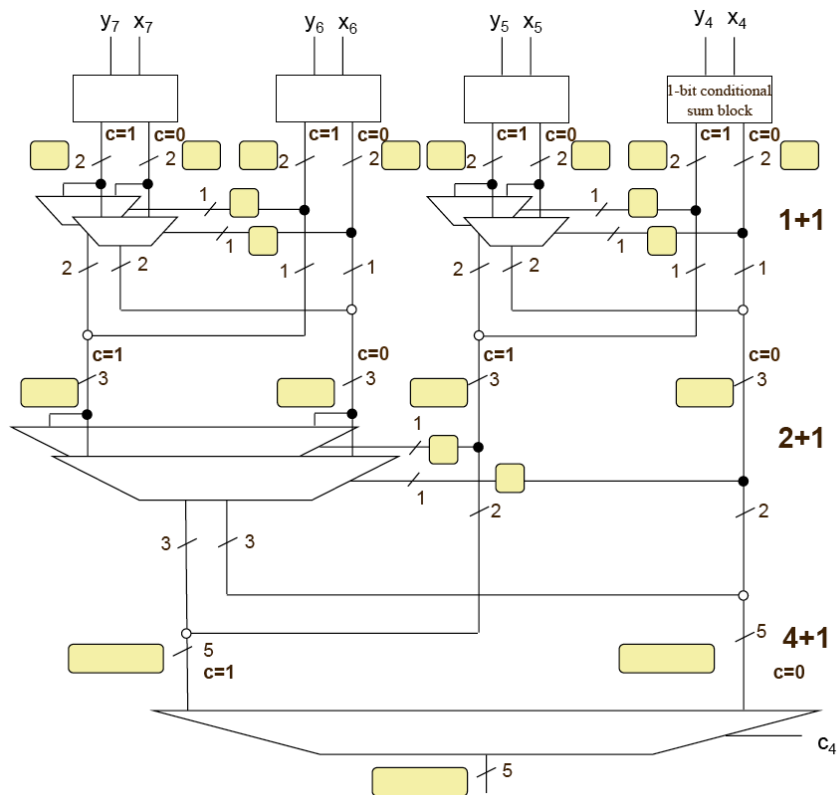


# Answer Sheet 1: Upper section of an 8-bit Conditional Sum Adder

## Part A

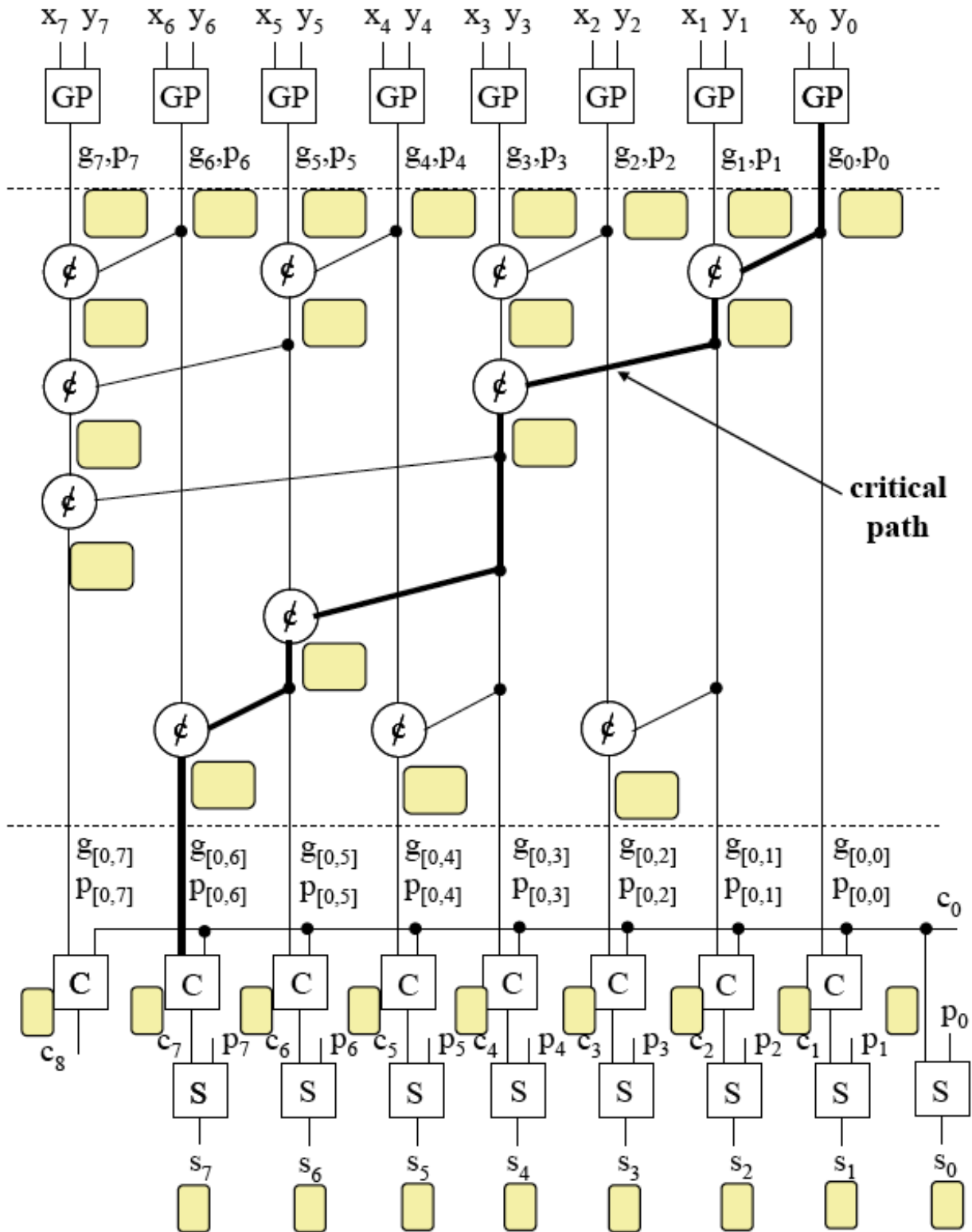


## Part B

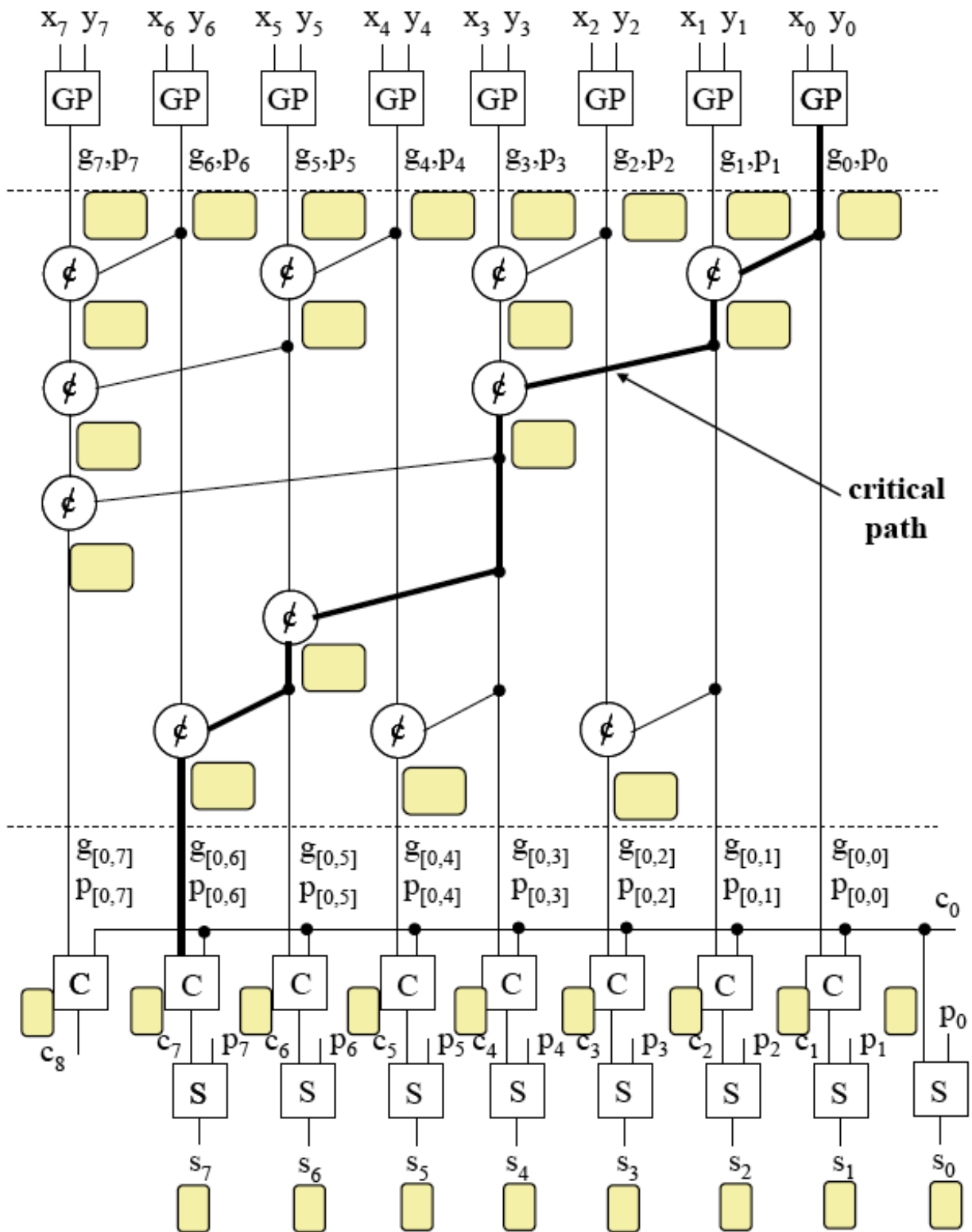


## Answer Sheet 2: 8-bit Brent-Kung Parallel Prefix Network Adder

### Part A

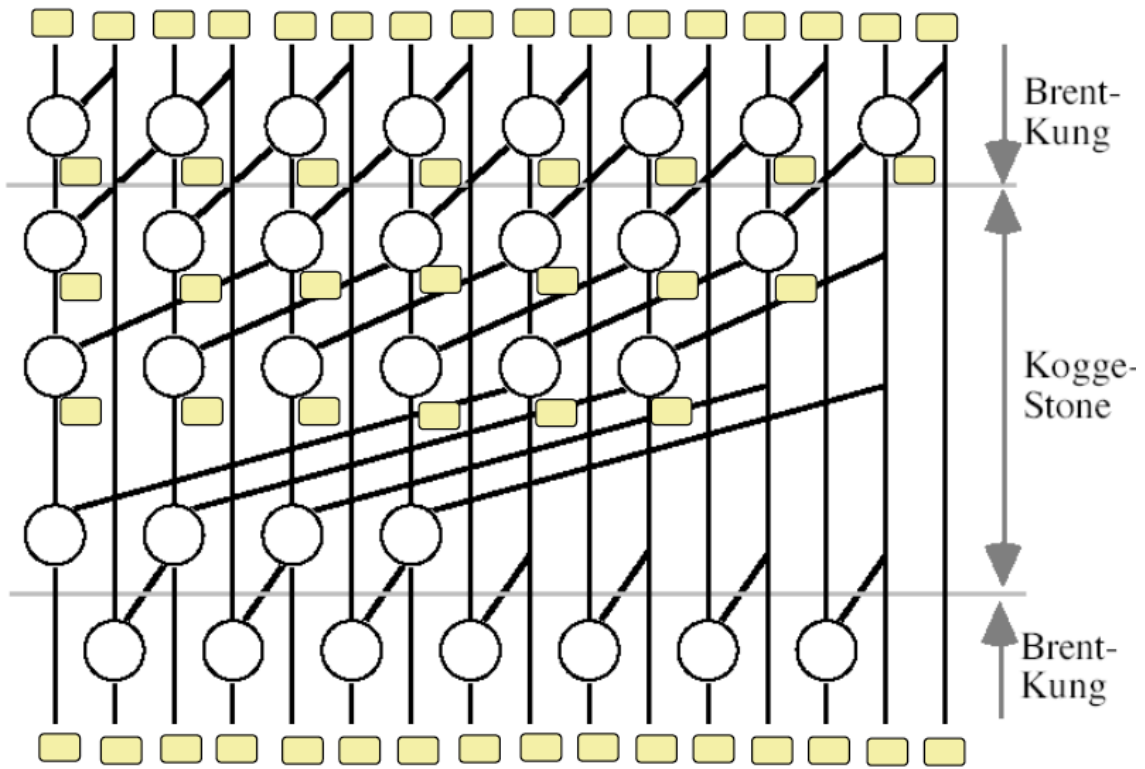


Part B



### Answer Sheet 3: Hybrid Brent-Kung/Kogge-Stone Parallel Prefix Network

#### Part A



#### Part B

