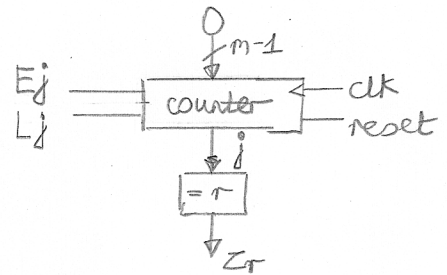
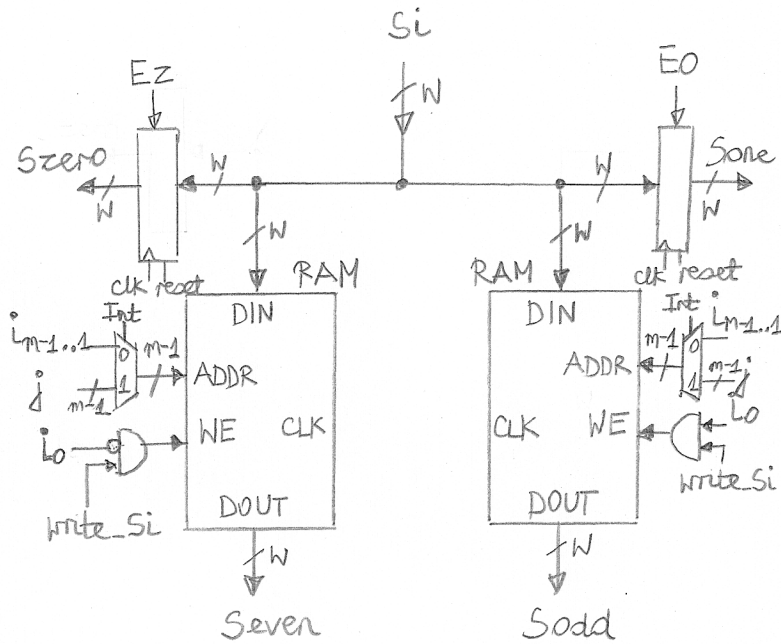
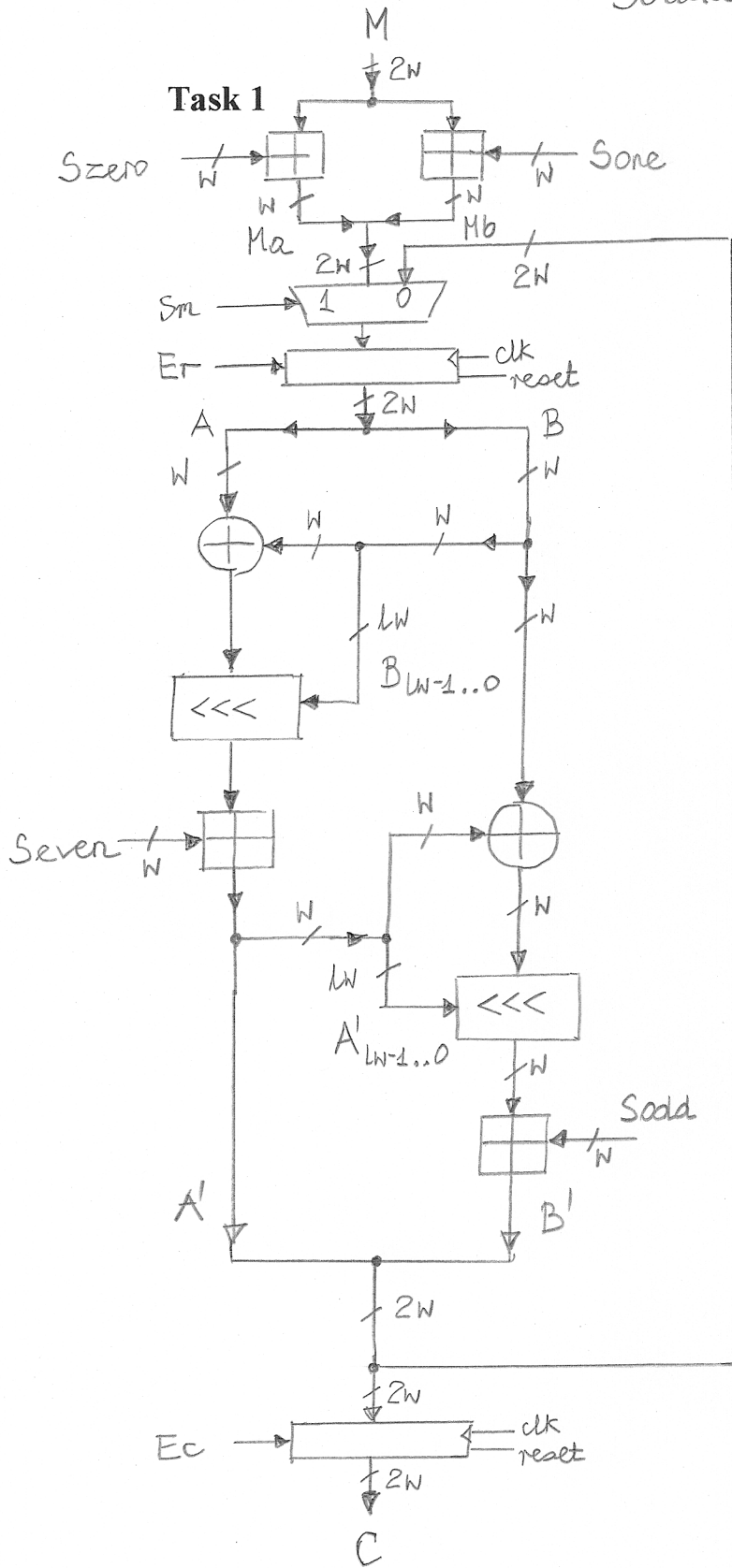


ECE 545 Fall 2009  
Solutions to Midterm Exam



$$LW = \lceil \log_2 W \rceil$$

$$m = \lceil \log_2 (2r+2) \rceil$$